

PINEVIEW

PEDESTAL LAVATORY

- 4313DSX Basin with Single Hole
- 4343DSX Basin with 4" Center
- 4344DMX Pedestal Leg

PRODUCT SPECS:

- Vitreous china
 - Rear overflow hole
 - Single hole or 4" faucet center -
- Mounting hardware supplied
- Faucet not included

DIMENSIONS:

560mm W x 472mm D x 860mm H
 22" W x 18½" D x 33⅞" H

COMPLIANCE CERTIFICATIONS

- Meets or exceeds the following:
- IAPMO cUPC
 - ASME A112.19.2 / CSA B45.1

SHIPPING

Basin:

Cube 2.63
 GW 43 lbs

Leg:

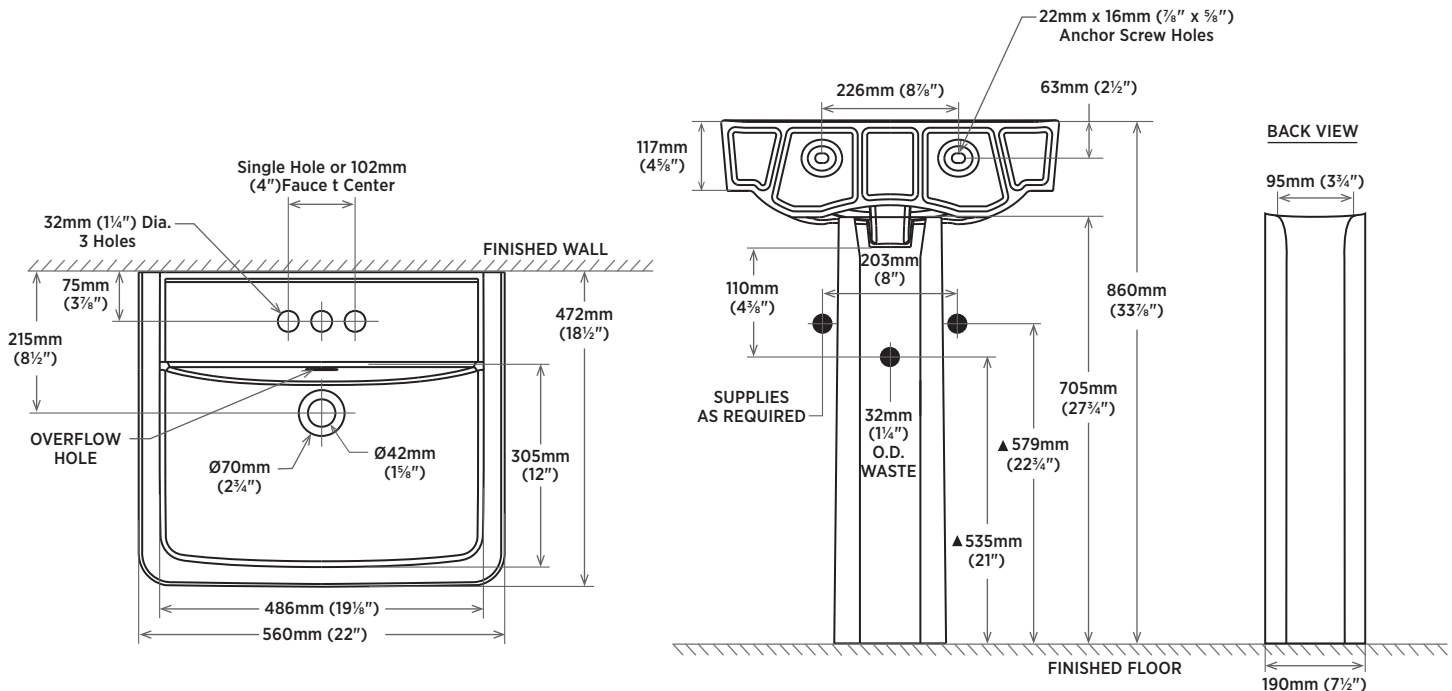
Cube 0.8
 GW 24 lbs



TO BE SPECIFIED

Colour:
 ■ Soft White

NOTES: Dimensions of fixtures are nominal and may vary within the range of tolerances established by ASME standard A112.19.2. These measurements are subject to change or cancellation. No responsibility is assumed for use of superseded or voided pages.



NOTE: ▲ Dimensions shown for location of supplied and waste are suggested.

REVISED NOVEMBER 2023