

# PINEVIEW

## SINGLE HOLE PEDESTAL BASIN WITH MATCHING LEG

□ 4310DSX-077 Matte Black

### PRODUCT SPECS:

- Vitreous china
- Rear overflow hole
- Single hole faucet drilling
- Mounting hardware supplied
- Basin and leg sold together in one carton
- Faucet not included

### COMPLIANCE CERTIFICATIONS

- Meets or exceeds the following:
- IAPMO cUPC
  - ASME A112.19.2 / CSA B45.1

### SHIPPING

Cube 6.07  
GW 71 lbs

### DIMENSIONS:

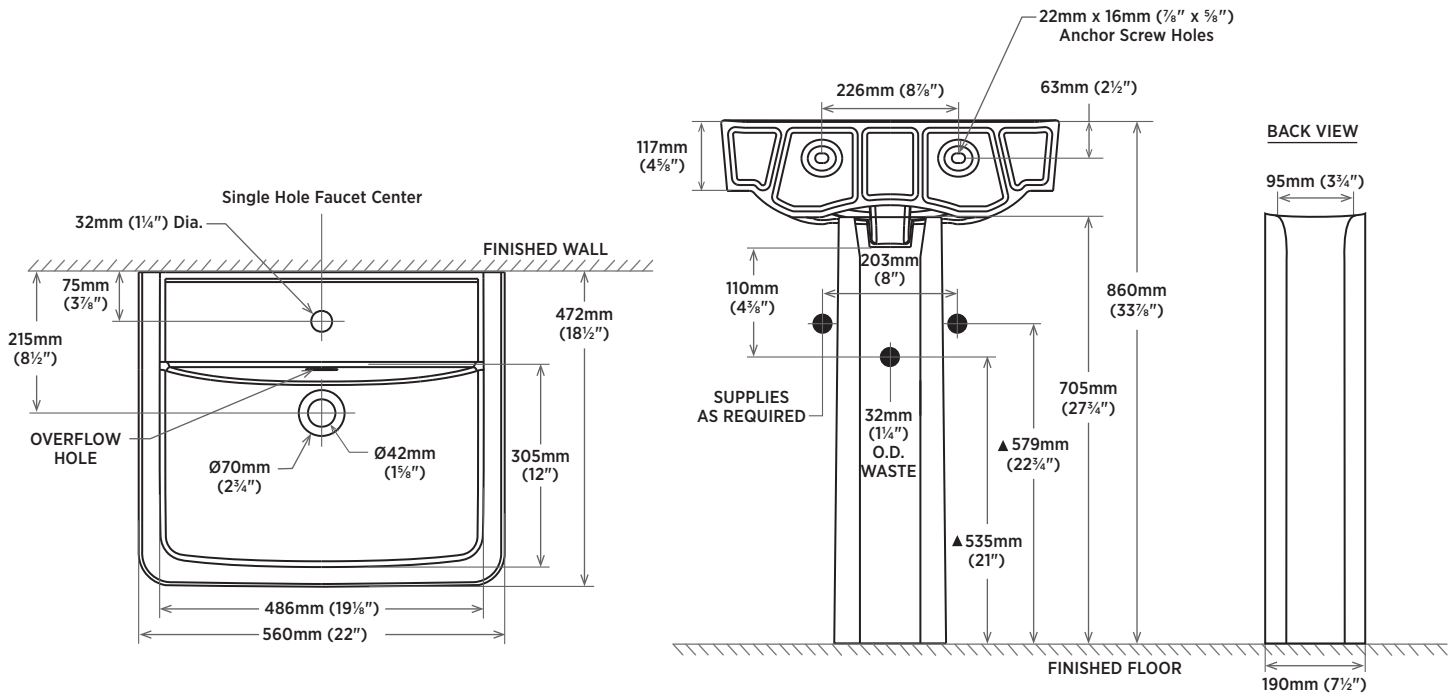
560mm W x 472mm D x 860mm H  
22" W x 18½" D x 33⅞" H



### TO BE SPECIFIED

Colour:  
■ Matte Black

**NOTES:** Dimensions of fixtures are nominal and may vary within the range of tolerances established by ASME standard A112.19.2. These measurements are subject to change or cancellation. No responsibility is assumed for use of superseded or voided pages.



**NOTE:** ▲ Dimensions shown for location of supplied and waste are suggested.

REVISED NOVEMBER 2023