

IZOBELLE

WALL MOUNTED SINK

□ 6610ANX Single Hole

PRODUCT SPECS:

- Fine Fireclay
- Slim rim profile
- Rear overflow hole
- Single hole faucet center
- Mounting bracket and hardware supplied
- For concealed plate-type carrier installation (supplied by others)
- Faucet not included

DIMENSIONS:

508mm W x 457mm D x 148mm H
20" W x 17¾" D x 5⅝" H

COMPLIANCE CERTIFICATIONS

- Meets or exceeds the following:
- IAPMO cUPC
 - ASME A112.19.2 / CSA B45.1
 - ADA Guidelines & ANSI A117.1
 - NBC and OBC Section 3.8 Barrier Free design and CSA B651 Standard

SHIPPING

Cube 1.62
GW 36lbs

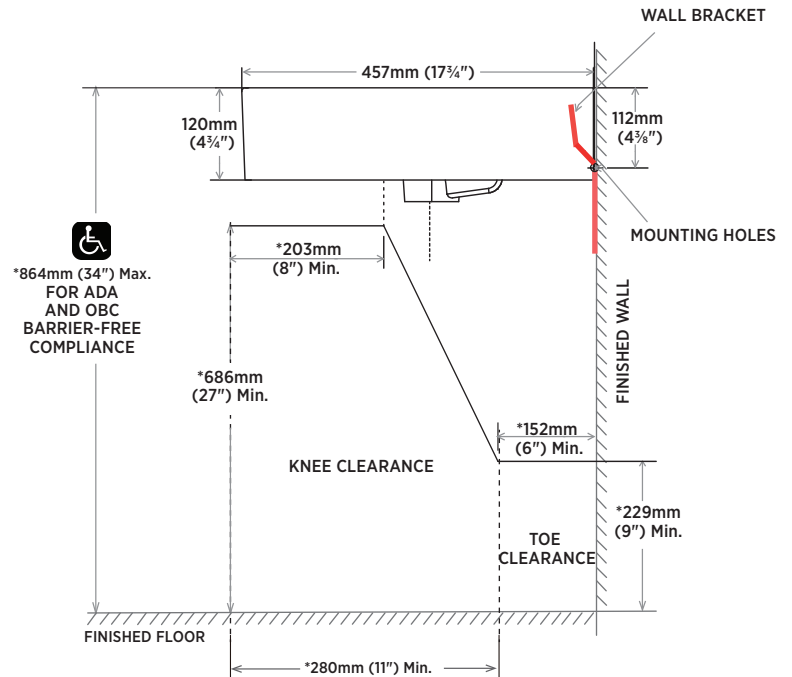
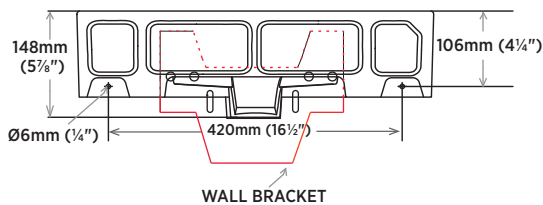
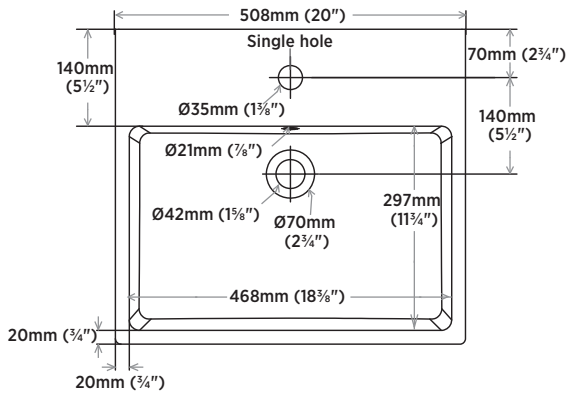


TO BE SPECIFIED

Colour:
■ Soft White

NOTES: Dimensions of fixtures are nominal and may vary within the range of tolerances established by ASME standard A112.19.2. These measurements are subject to change or cancellation. No responsibility is assumed for use of superseded or voided pages.

Products are designed to comply ADA/ANSI A117.1, CSA B651 standards and OBC barrier-free requirements. It shall be the responsibility of the installer to comply with the local disability codes and standards prior to installing the product.



NOTE: * Starred measurements comply with ADA and OBC barrier free accessibility requirements.

REVISED OCTOBER 2022

contrac

CANADA 5970 CHEDWORTH WAY, UNIT B, MISSISSAUGA, ONTARIO, CANADA L5R 4G5 | CONTRAC.CA
USA 6241 NORTHWIND PARKWAY, HOBART, INDIANA, USA 46342