

GRAYCIE

OVAL DROP-IN SINK

- 4111BPU Single Hole
- 4114BPU 4" Center

* **Special Order Only** (See Price Book for Details)

- 4111BPU-SO Single Hole (Sealed Overflow)
- 4114BPU-SO 4" Center (Sealed Overflow)

PRODUCT SPECS

- Vitreous China
- Rear overflow
- Template supplied
- Faucet not included

DIMENSIONS

533mm W x 445mm D x 177mm H
21" W x 17½" D x 7" H

COMPLIANCE CERTIFICATIONS

- Meets or exceeds the following:
- IAPMO cUPC
 - ASME A112.19.2 / CSA B45.1
 - ADA Guidelines & ANSI A117.1
 - NBC and OBC Section 3.8 barrier free design
 - CSA B651 Standard

SHIPPING

Cube 1.87
GW 27 lbs

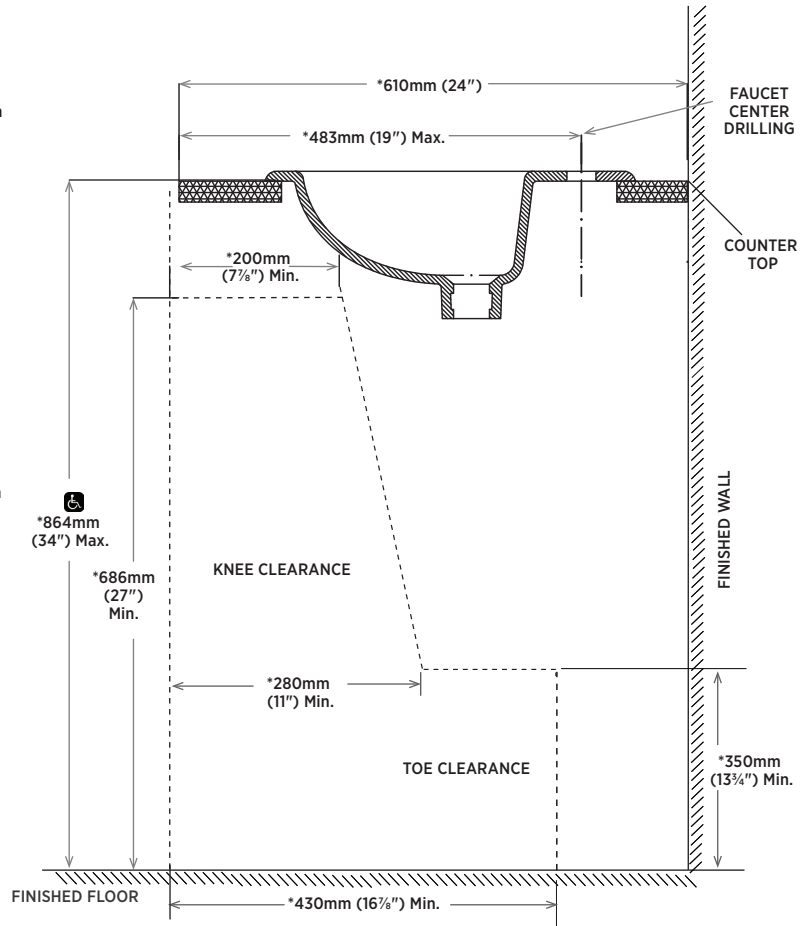
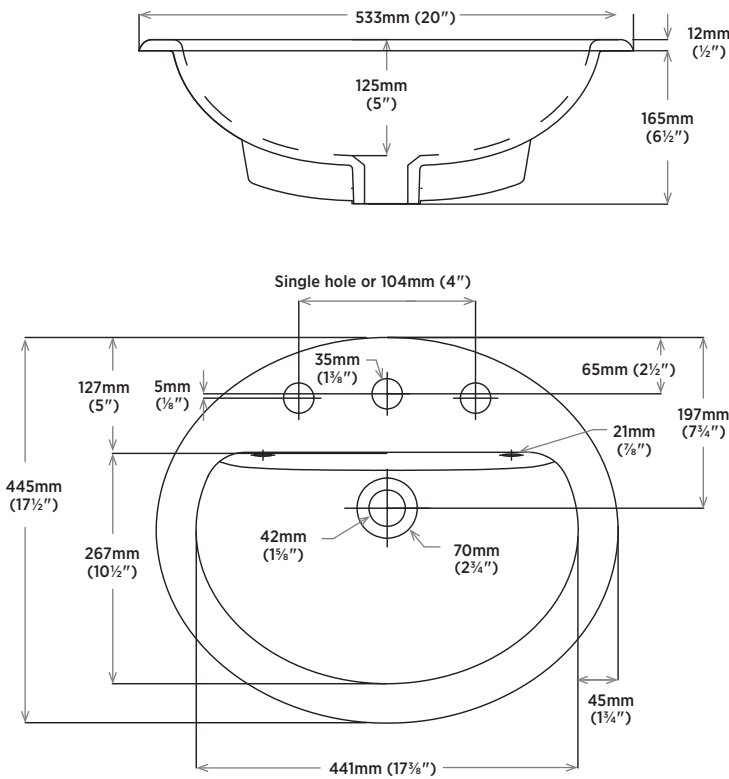


TO BE SPECIFIED

Colour:
■ Soft White

NOTES: Dimensions of fixtures are nominal and may vary within the range of tolerances established by ASME standard A112.19.2. Measurements are subject to change or cancellation. No responsibility is assumed for use of superseded or voided pages.

Products are designed to comply with ADA/ANSI A117.1, CSA B651 Standard and NBC/OBC barrier-free requirements. It shall be the responsibility of the installer to comply with the local disability codes and standards prior to installing the product.



NOTE: *Starred measurements comply with ADA guideline and CSA B651 barrier free accessibility requirements.