

# COMEAU PRESSURE ASSIST TOILET

## 3.8LPF / 1.0GPF

- ☐ 5722BEY      Comeau Bowl
- ☐ 5721BOY-L    Canaham Locking Tank

### PRODUCT SPECS:

- High efficiency pressure assist toilet
- 3.8Lpf / 1.0Gpf
- Powerful and quiet pressure assisted Sloan FLUSHMATE® Flush assures clean and complete removal of all waste
- Elongated bowl
- Vitreous china
- 15½" bowl height
- Chrome tank lever
- 12" (305mm) Rough-in
- 2" Fully glazed ball pass trapway
- Siphon jet flush action
- Water surface: 10<sup>7</sup>/<sub>16</sub>" x 7<sup>7</sup>/<sub>8</sub>" (265mm x 200mm)
- Toilet seat not included

### DIMENSIONS:

440mm W x 730mm D x 760mm H  
 17<sup>3</sup>/<sub>8</sub>" W x 28<sup>3</sup>/<sub>4</sub>" D x 30" H

### COMPLIANCE CERTIFICATIONS

- Meets or exceeds the following:
- IAPMO cUPC
  - US EPA WaterSense
  - ASME A112.19.2 / CSA B45.1
  - Map Premium tested 1000g
  - LEED Compliant

### SHIPPING

<b>Bowl:</b>	
Cube	3.81
GW	53.24 lbs
<b>Tank:</b>	
Cube	2.0
GW	37.26 lbs



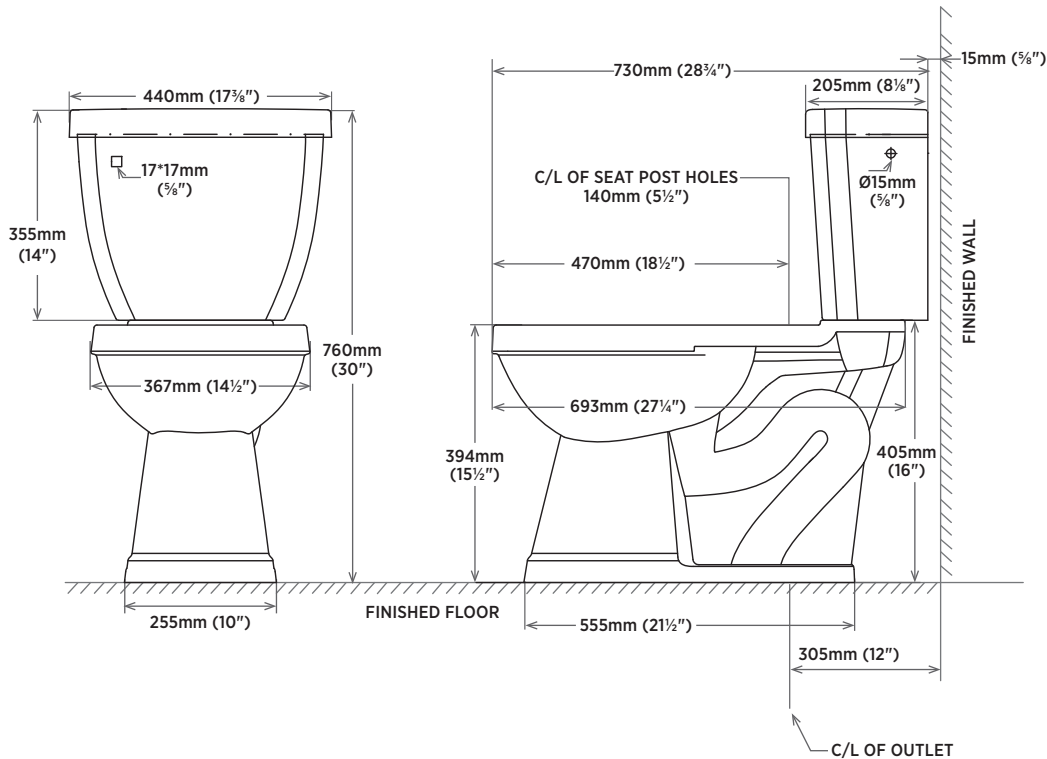
### TO BE SPECIFIED

- Colour:
- Soft White

**NOTES:** This toilet is designed to rough-in at a minimum dimension of 305mm (12") from finished wall to C/L of outlet. Supply line not included with fixture and must be ordered separately.

Important: Dimensions of fixtures are nominal and may vary within the range of tolerances established by ASME standard A112.19.2. These measurements are subject to change or cancellation. No responsibility is assumed for use of superseded or voided pages.

Products are designed to comply ADA/ANSI A117.1 Standard. It shall be the responsibility of the installer to comply with the local disability codes and standards prior to installing the product.



REVISED OCTOBER 2022