

COLTER ELONGATED BOWL

4.8LpF / 1.28GPF

□ 4762BEX

Top Inlet

PRODUCT SPECS

- High efficiency flushometer valve bowl
- 4.8Lpf / 1.28Gpf
- Will also function within a flush volume range of 4.2-4.8Lpf / 1.1-1.28Gpf
- Elongated bowl
- Vitreous china
- 15" bowl height
- 10" (254mm) Rough-in
- 2" Fully glazed ball pass trapway
- Siphon jet flush action
- 1½ NPT Top inlet spud
- Water surface: (240mm x 140mm) 9½" x 5½"
- Toilet seat and flushometer valve not included

DIMENSIONS

370mm W x 710mm D x 381mm H

14½" W x 28" D x 15" H

COMPLIANCE CERTIFICATIONS

Meets or exceeds the following:

- IAPMO cUPC
- ASME A112.19.2 / CSA B45.1
- MaP tested 1000g (Top Inlet)
- US EPA WaterSense Version 1.0 Specification
(Please note: MaP testing was completed with Sloan Flushometer Valve Model: Royal 111-1.2)
- LEED Compliant

SHIPPING

Cube 3.98
GW 49.5 lbs



TO BE SPECIFIED

Colour:

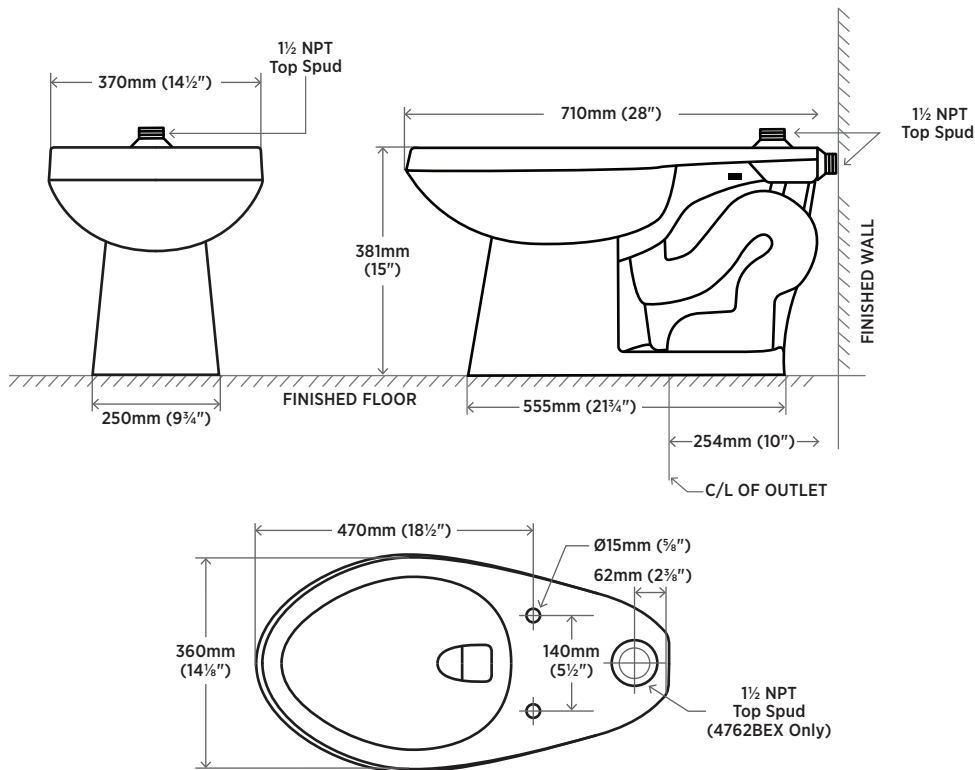
- Soft White

NOTES:

This toilet is designed to rough-in at a minimum dimension of 254mm (10") from finished wall to C/L of outlet. Flush valve not included with fixture and must be ordered separately.

Important: Dimensions of fixtures are nominal and may vary within the range of tolerances established by ASME standard A112.19.2. These measurements are subject to change or cancellation. No responsibility is assumed for use of superseded or voided pages.

Bone and Biscuit available through Direct Import (CIF) only.



REVISED DECEMBER 2023

contrac

CANADA
USA

5970 CHEDWORTH WAY, UNIT B, MISSISSAUGA, ONTARIO, CANADA L5R 4G5 | CONTRAC.CA
6241 NORTHWIND PARKWAY, HOBART, INDIANA, USA 46342 | CONTRAC.US