

CATALINA

OVAL DROP-IN SINK

- 4110BGW Single Hole
- 4140BGW 4" Center

* **Special Order Only** (See Price Book for Details)

- 4110BGW-SO Single Hole (Sealed Overflow)
- 4140BGW-SO 4" Center (Sealed Overflow)

PRODUCT SPECS:

- Vitreous china
- Front overflow hole
- Single hole or 4" centers
- Template supplied
- Faucet not included

DIMENSIONS:

514mm W x 432mm D x 194mm H
 20¼" W x 17" D x 7⅝" H

COMPLIANCE CERTIFICATIONS

- Meets or exceeds the following:
- IAPMO cUPC
 - ASME A112.19.2 / CSA B45.1
 - ADA Guidelines & ANSI A117.1
 - NBC and OBC Section 3.8 Barrier free design
 - CSA B651 standard

SHIPPING

Cube 1.92
 GW 22 lbs

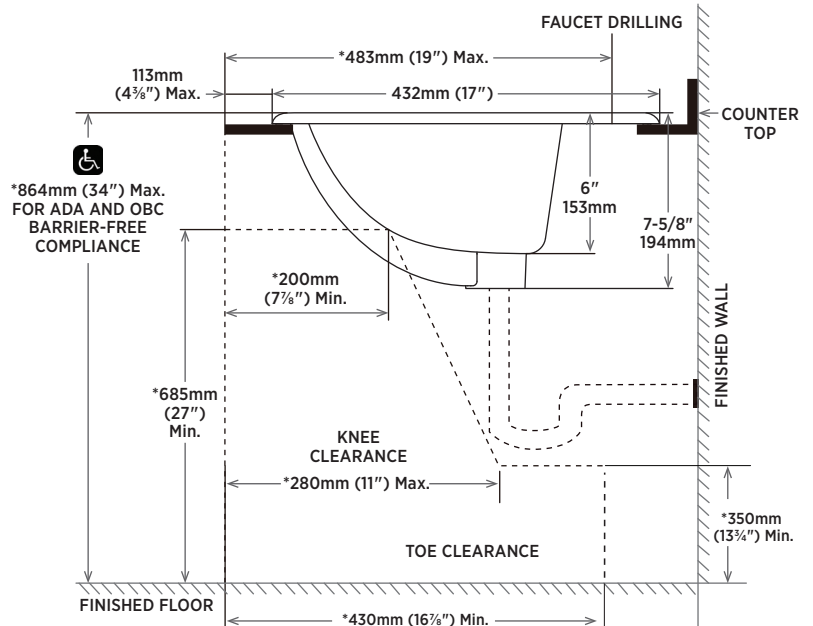
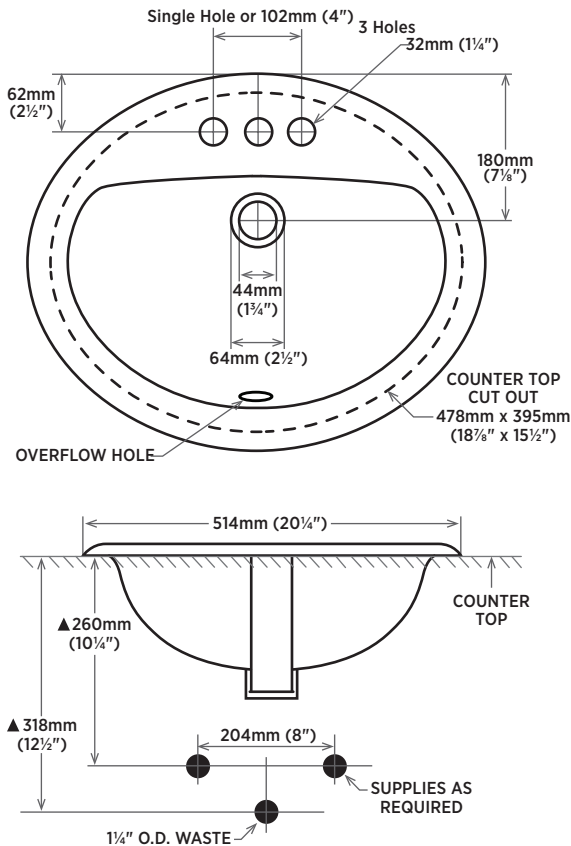


TO BE SPECIFIED

- Colour:
 ■ Soft White

NOTES: Dimensions of fixtures are nominal and may vary within the range of tolerances established by ASME standard A112.19.2. Measurements are subject to change or cancellation. No responsibility is assumed for use of superseded or voided pages.

Products are designed to comply with ADA/ANSI A117.1, CSA B651 Standard and NBC/OBC barrier-free requirements. It shall be the responsibility of the installer to comply with the local disability codes and standards prior to installing the product.



NOTE: * Starred measurements comply with ADA and OBC barrier free accessibility requirements. ▲ Dimensions shown for location of supplied and waste are suggested.

REVISED JULY 2023