

CANE TOILET SENSE TANK

4.8LPF / 1.28GPF

- 4721BFV-HF Lined Tank
- 4721BFVU-HF Unlined Tank

PRODUCT SPECS

- Toilet Sense flush sensor module to prevent cross-contamination during flushing
- Pre-installed Toilet Sense kit in tank (batteries not included)
- Vitreous China
- Manual chrome tank lever accessible as an alternative
- 3" Flapper
- Compatible with Carlin, Caven, Crista, and Cody toilet bowls

DIMENSIONS

440mm W x 204mm D x 350mm H

17¼" W x 8" D x 13¾" H

SHIPPING

Tank:

Cube 1.90
GW 34 lbs



TO BE SPECIFIED

Colour:
■ Soft White

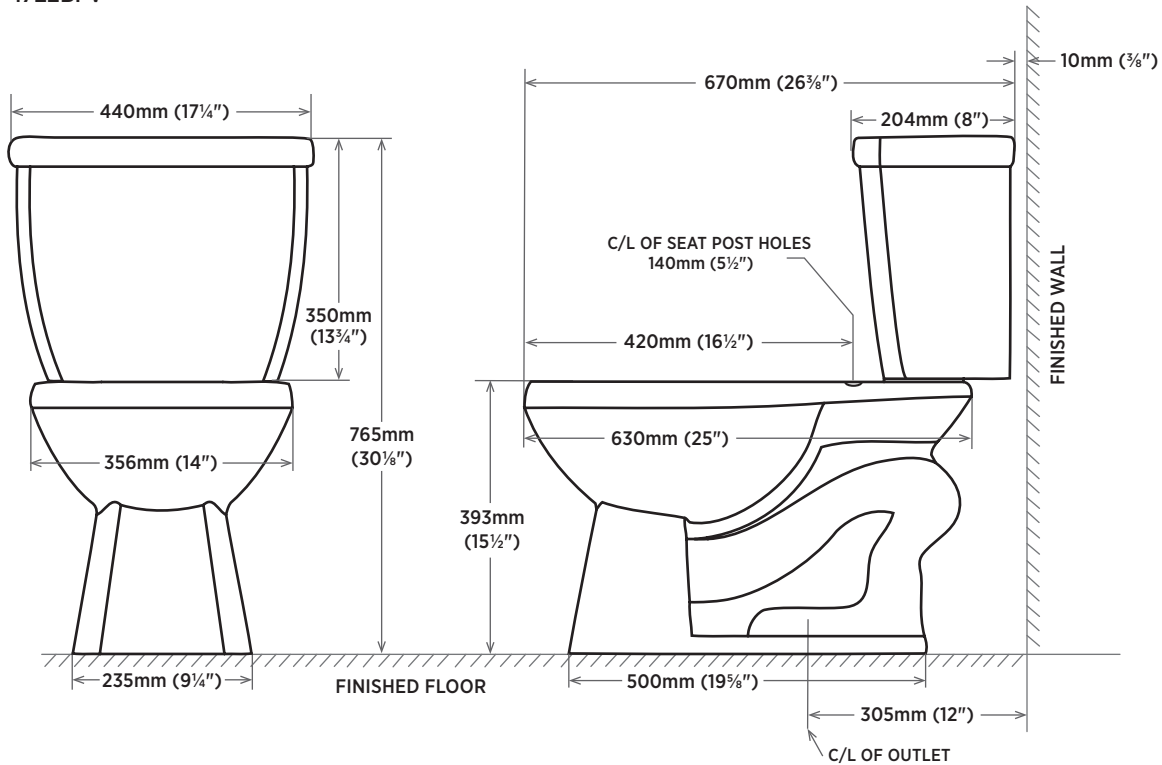
NOTES: The drawing below shows a rough-in at a minimum dimension of 305mm (12") from finished wall to C/L of outlet. Supply line not included with fixture and must be ordered separately.

Important: Dimensions of fixtures are nominal and may vary within the range of tolerances established by ASME standard A112.19.2. These measurements are subject to change or cancellation. No responsibility is assumed for use of superseded or voided pages.

Products are designed to comply ADA/ANSI A117.1 Standard. It shall be the responsibility of the installer to comply with the local disability codes and standards prior to installing the product.

For additional component options and specifications, please visit contrac.ca / contrac.us

A) CARLIN - 4722BFV



PLEASE SEE PAGE 2 FOR MORE SPECIFICATIONS

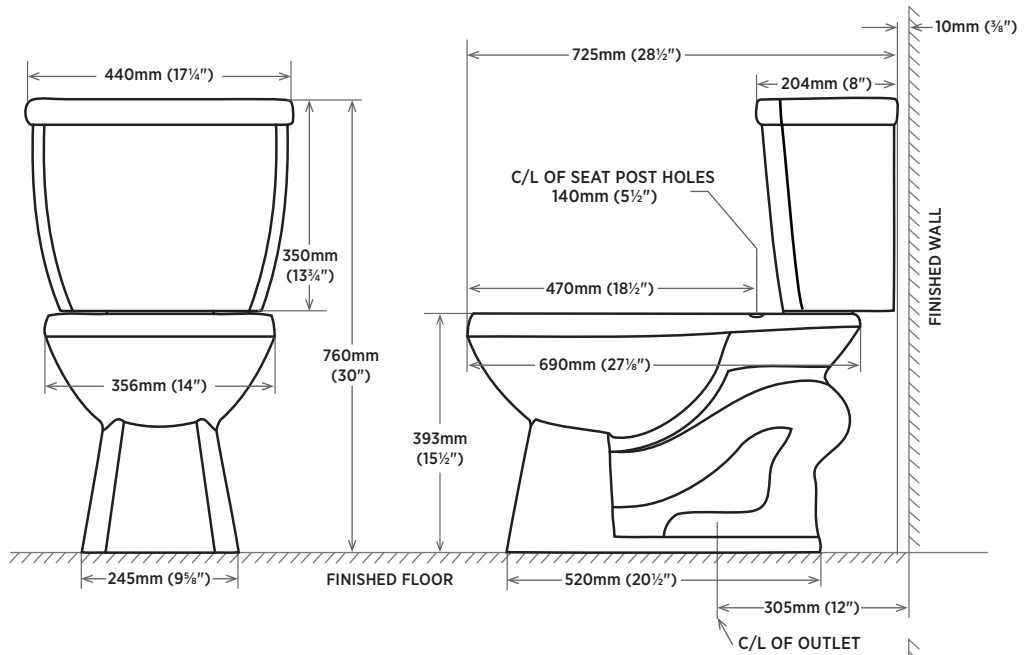
PAGE 1/2

REVISED SEPTEMBER 2023

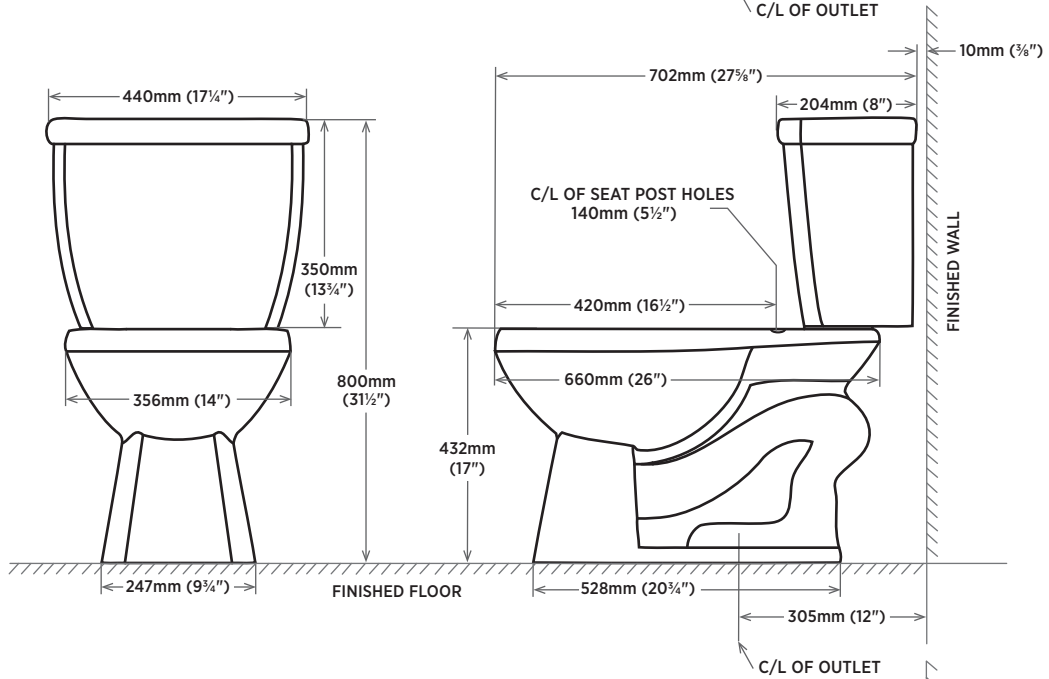
contrac

5970 CHEDWORTH WAY, UNIT B, MISSISSAUGA, ONTARIO, CANADA L5R 4G5 | CONTRAC.CA

**B) CODY -
4722BEV**



**C) CAVEN -
4722BRV**



**D) CRISTA -
4722BHV**

